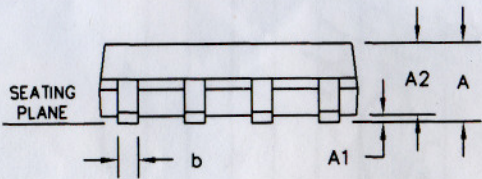
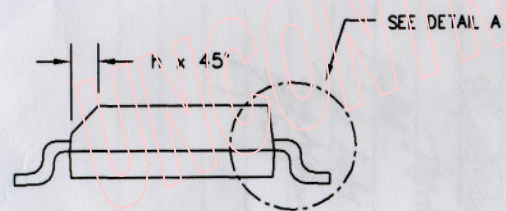
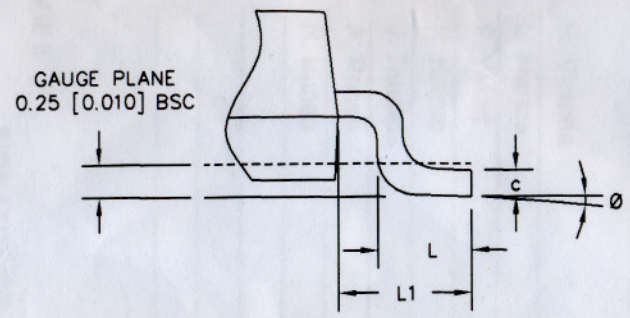
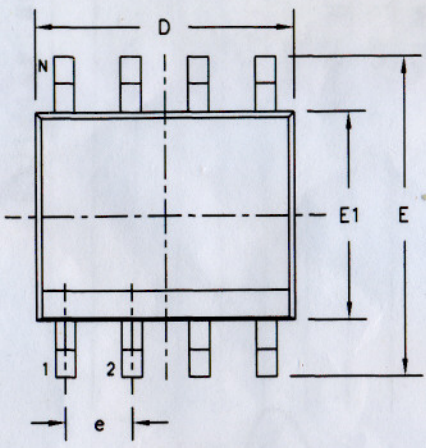
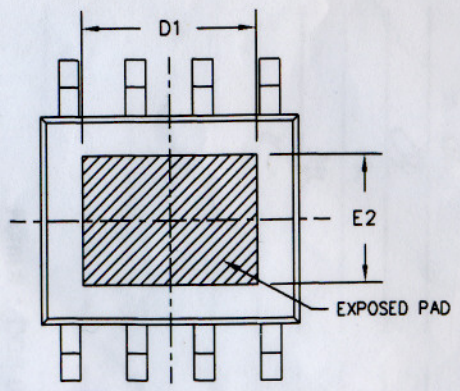


REV.	DESCRIPTION	DATE	ECN NUMBER
0	INITIAL ISSUE	03/08/05	-



SYM	DIMENSION IN INCHES			DIMENSION IN MM		
	MIN	NOM	MAX	MIN	NOM	MAX
A	0.056	0.058	0.061	1.42	1.47	1.55
A1	0.001	0.004	0.005	0.025	0.102	0.127
A2	0.051	0.054	0.057	1.30	1.37	1.45
b	0.014	0.016	0.020	0.36	0.41	0.51
c	0.007	0.008	0.010	0.18	0.20	0.25
D	0.191	0.193	0.195	4.85	4.90	4.95
E1	0.151	0.153	0.155	3.84	3.89	3.94
E	0.234	0.240	0.244	5.94	6.10	6.20
e	0.050			1.27		
L	0.020	0.027	0.032	0.51	0.69	0.81
L1	0.042	0.044	0.046	1.07	1.12	1.17
Ø	0"	-	8"	0"	-	8"
h	0.011	0.015	0.019	0.28	0.38	0.48
D1	0.120	-	0.130	3.05	-	3.30
E2	0.085	-	0.095	2.16	-	2.41

- NOTES:
- DIMENSION D DOES NOT INCLUDE MOLD FLASH, PROTRUSIONS OR GATE BURRS. DIMENSION E1 DOES NOT INCLUDE INTERLEAD FLASH OR PROTRUSIONS.
 - COPLANARITY APPLIES TO THE TERMINALS. COPLANARITY SHALL NOT EXCEED 0.003" [0.08 mm].
 - BASED FROM JEDEC MS-012 VARIATION AA.



CIRTEK
MASTER COPY

TITLE					UNLESS OTHERWISE GENERAL TOLERANCES ARE		DWG NO.		REV.
8L SOIC NB WITH EXPOSED PAD LOW SEATING PROFILE PACKAGE OUTLINE					DECIMALS ANGLES		POD-CEC-SOE08-001		0
BY	DRAWN	DCC	O.C.	ENGR.	.XX ± .10 ± 1'			SHEET#	
DATE	R. TECSON	F. YABUT	E. ALLONES	R. SANICO	.XXX ± .010	DIMENSIONS IN MM [INCHES]		DO NOT SCALE DWG	
	13/8/05	070905	7/9/05	7/9/05	.XXXX ± .0020			1/1	

CIRTEK
ELECTRONICS CORPORATION
116 EAST MAIN AVENUE, PHASE V, SEZ
LAGUNA TECHNOPARK
BINANG, LAGUNA